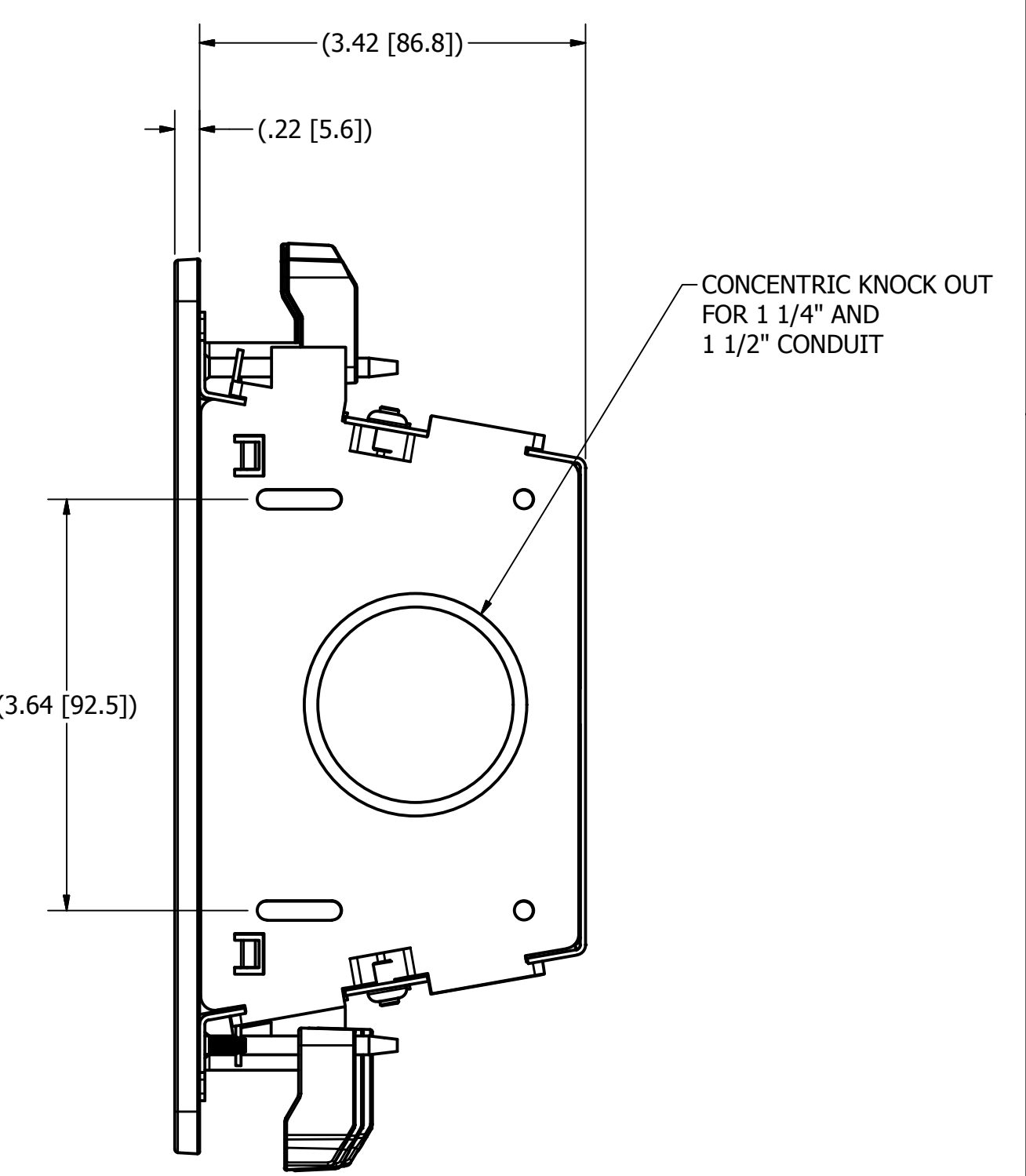
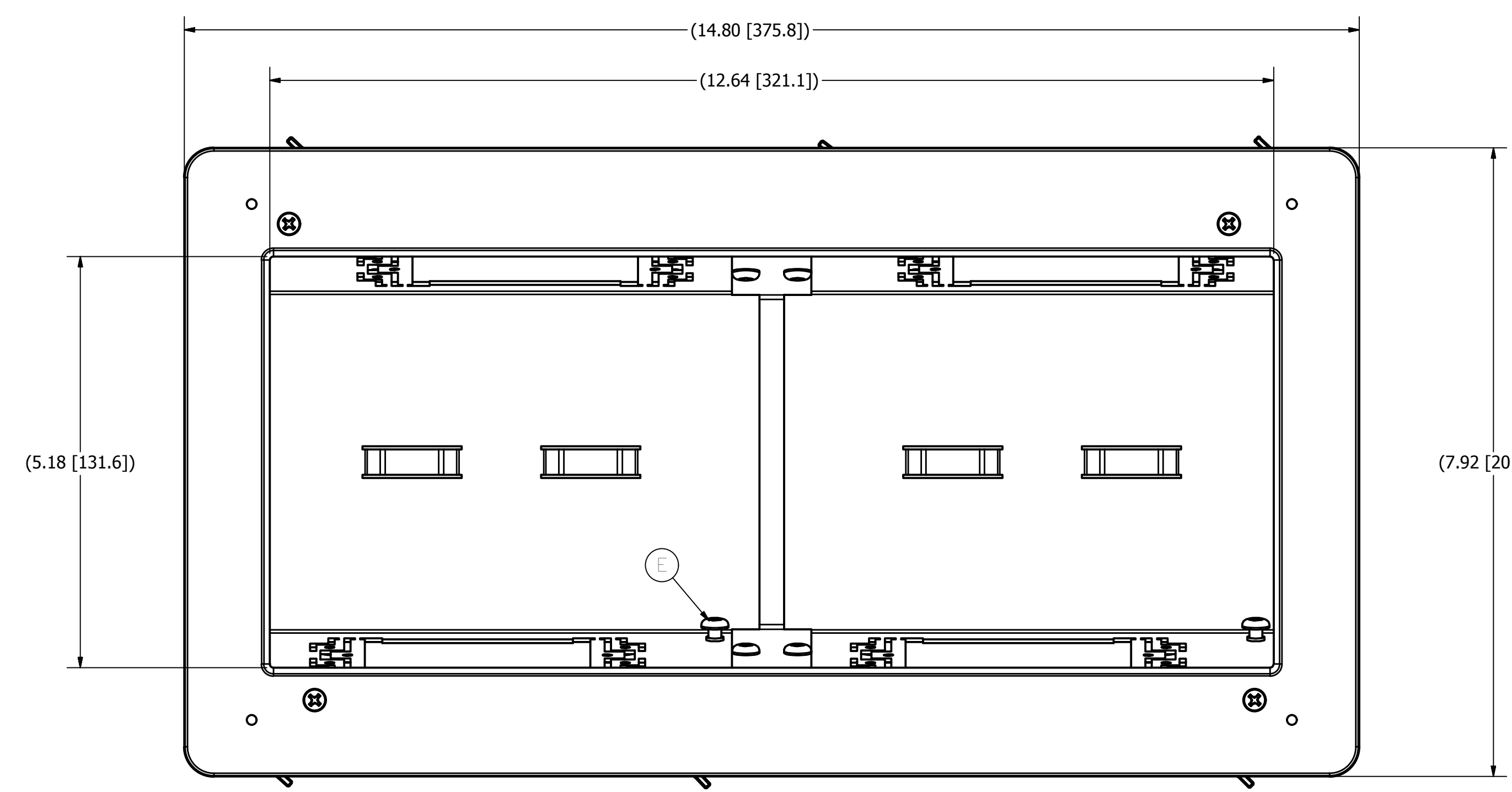
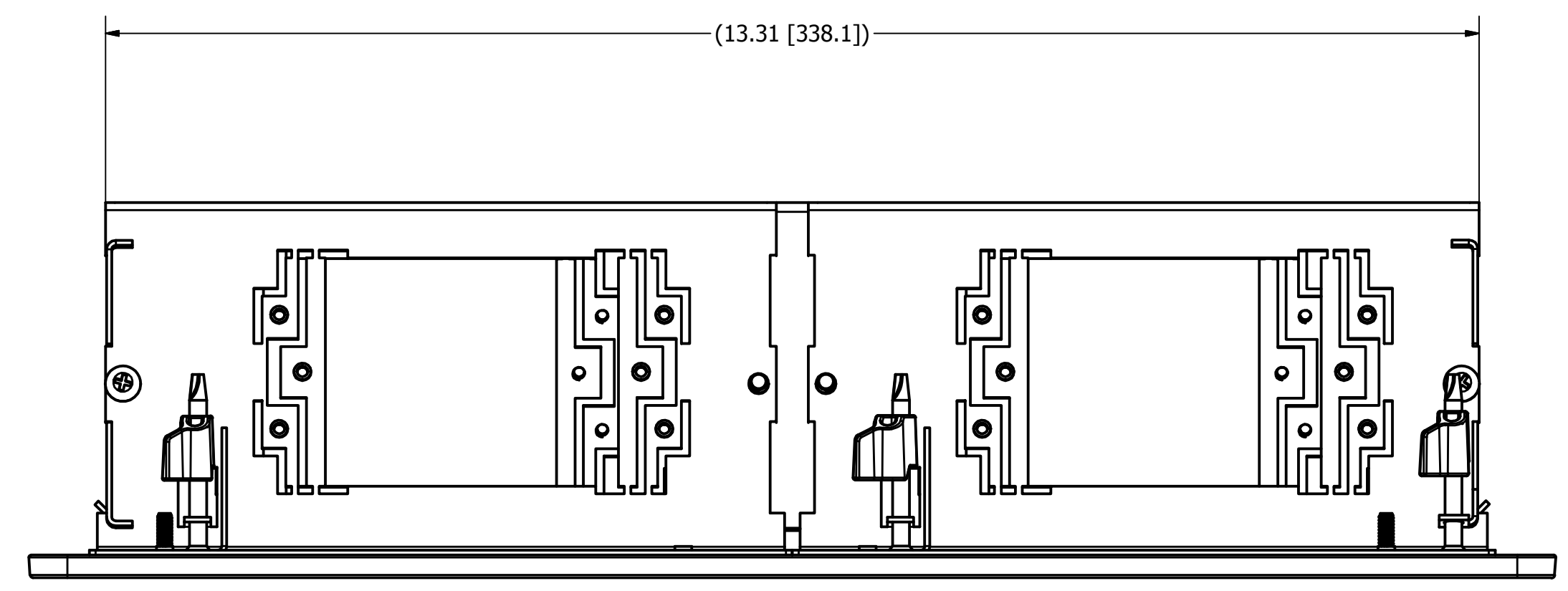
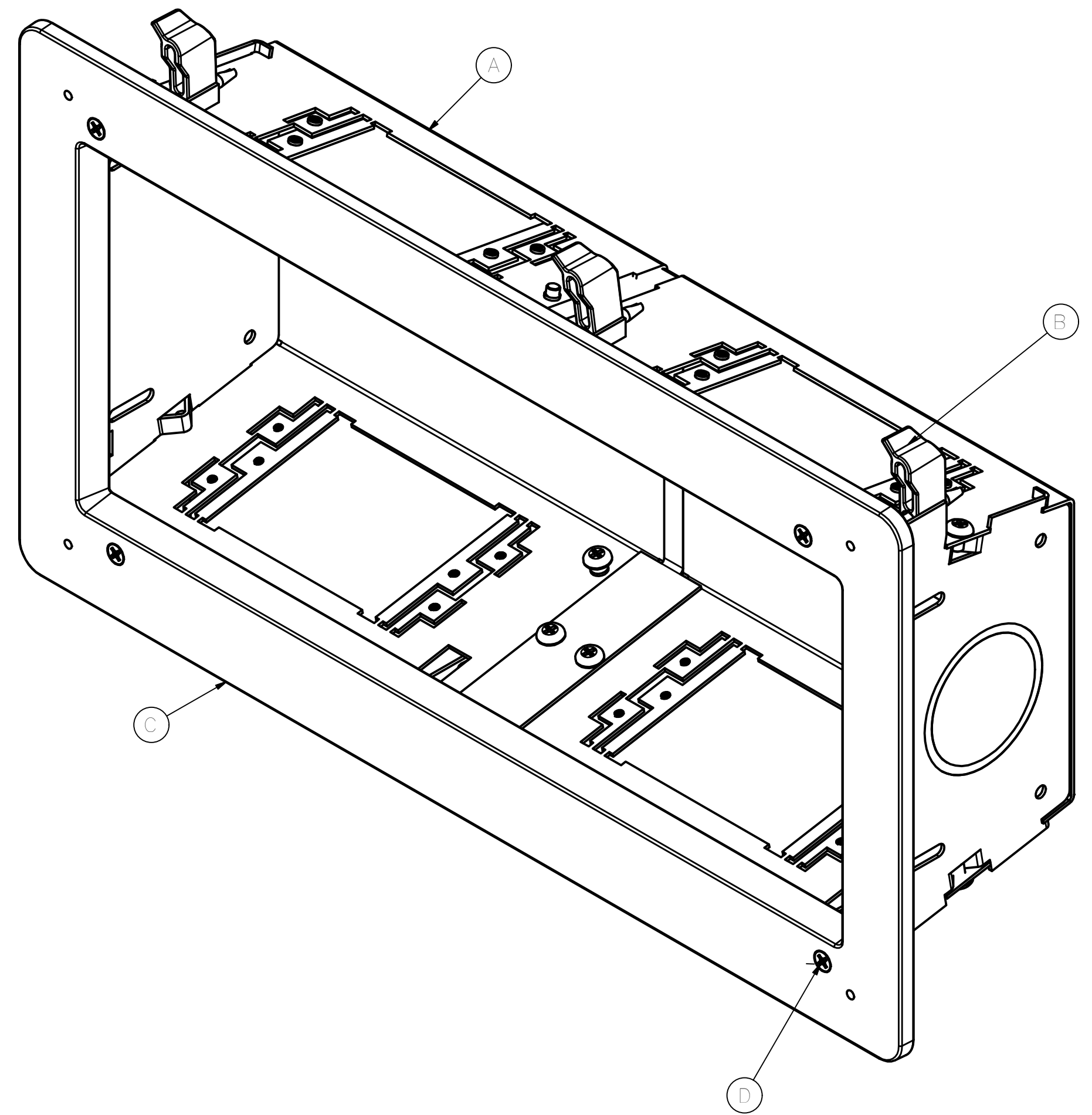


ITEM NO.	DESCRIPTION	QTY.
A	FPTV BOX ASSEMBLY, METAL	1
B	SHEETROCK PADDLE	6
C	TRIM BEZEL, PLASTIC	1
D	BEZEL MOUNTING SCREW	4
E	GROUND SCREW	2

CATALOG NUMBER	COLOR	DESCRIPTION
NSAV124M	WHITE	netSELECT AV BOX, LARGE CAPACITY



- NOTES:
- REFER TO INSTALLATION INSTRUCTIONS.
  - SPECIFICATIONS SUBJECT TO CHANGE WITHOUT NOTICE.

REV.	ECN	DATE	DESCRIPTION	CHG BY	APPD BY
1	19630	5/13/15	INITIAL RELEASE	DPO	

**DIMENSIONING AND TOLERANCE**  
 PER ANSI Y14.5M-1982  
 UNLESS OTHERWISE SPECIFIED,  
 DIMENSIONS ARE IN INCHES (MM).  
 TOLERANCES: XX = ±.01 (.25)  
 .XXX = ±.005 (.127)  
 .XXXX = ±.0025 (.0635)  
 ANGLE TOL ±1°

**IN ACCEPTING OUR DRAWINGS,**  
 BLUEPRINTS, OR SUPPORTING  
 DOCUMENTATION FOR QUOTATION  
 OR OTHER PURPOSES, YOU AGREE NOT  
 TO DISCLOSE TO OTHERS THE IDEAS,  
 INFORMATION, OR DESIGNS SHOWN  
 HEREIN, AND THAT YOU WILL MAKE NO  
 USE OF SAME WITHOUT PERMISSION

PROJECT REFERENCE: NPD 00206
MATERIAL:
DRAWN BY: D.O'CONNOR 5/13/15
CHECKED BY:
APPROVED BY:

**HUBBELL** Hubbell Premise Wiring  
 HUBBELL INCORPORATED (Delaware)  
 23 CLARA DRIVE, SUITE 103 MYSTIC, CT 06355

TITLE:  
FPTV, LARGE BASE ASSEMBLY

SIZE: D DRAWING NO. HWS14477C REV. 1

SCALE: SHEET 1 OF 1

Created on INVENTOR